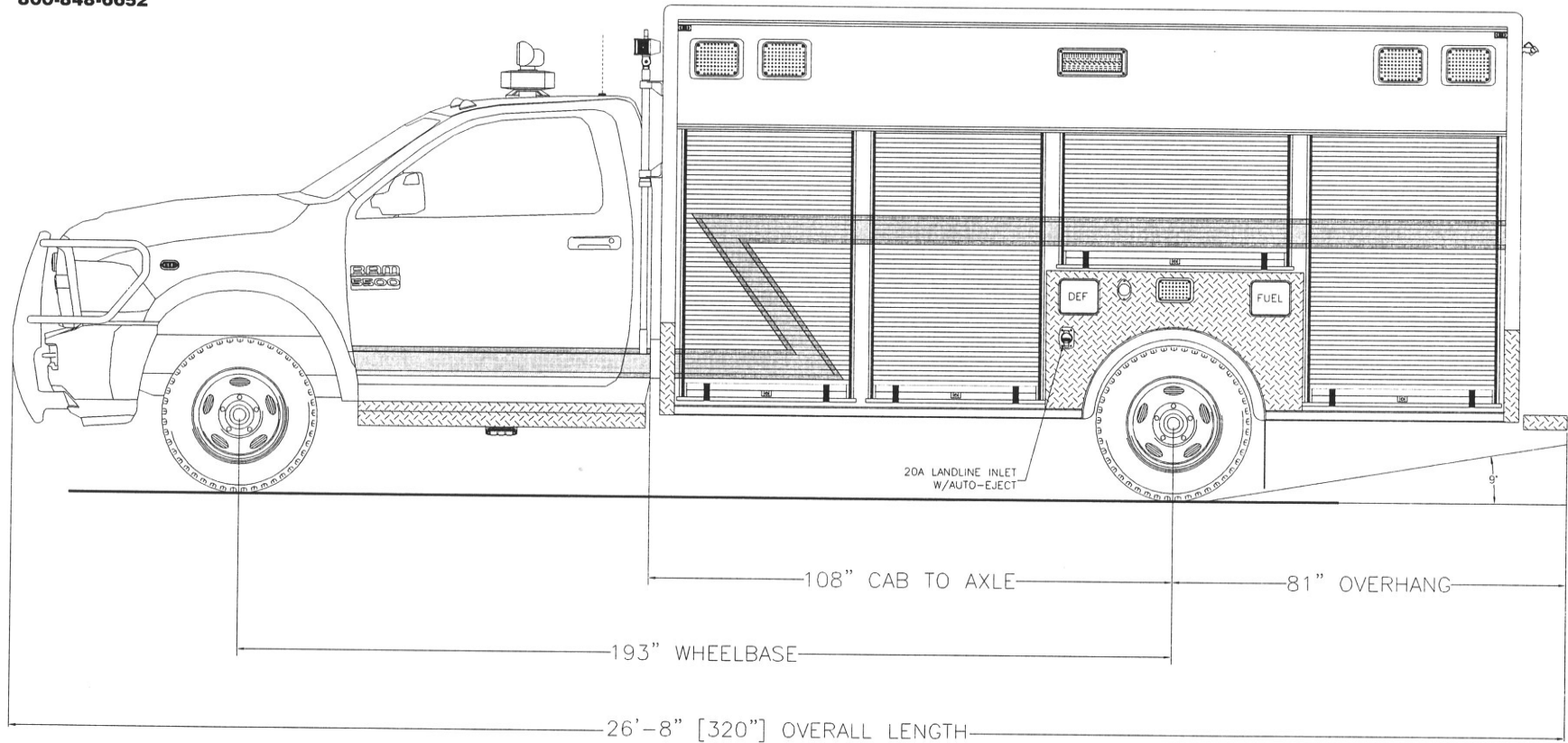




705 13TH STREET, LAKE PARK, FL  
800-848-6652

Clark Twp. Michigan Fire Rescue  
Clark Twp., Michigan



Streetside Overall

THESE DESIGN/ENGINEERING DRAWING(S) ARE THE  
PROPERTY OF EMERGENCY VEHICLES, INC. THEY  
ARE PROPRIETARY AND ARE FOR THE EXCLUSIVE  
USE OF YOUR ENTITY. ANY DIVULGING OF THIS  
DATA TO A THIRD PARTY IS PROHIBITED.

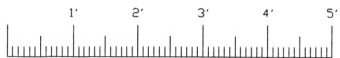
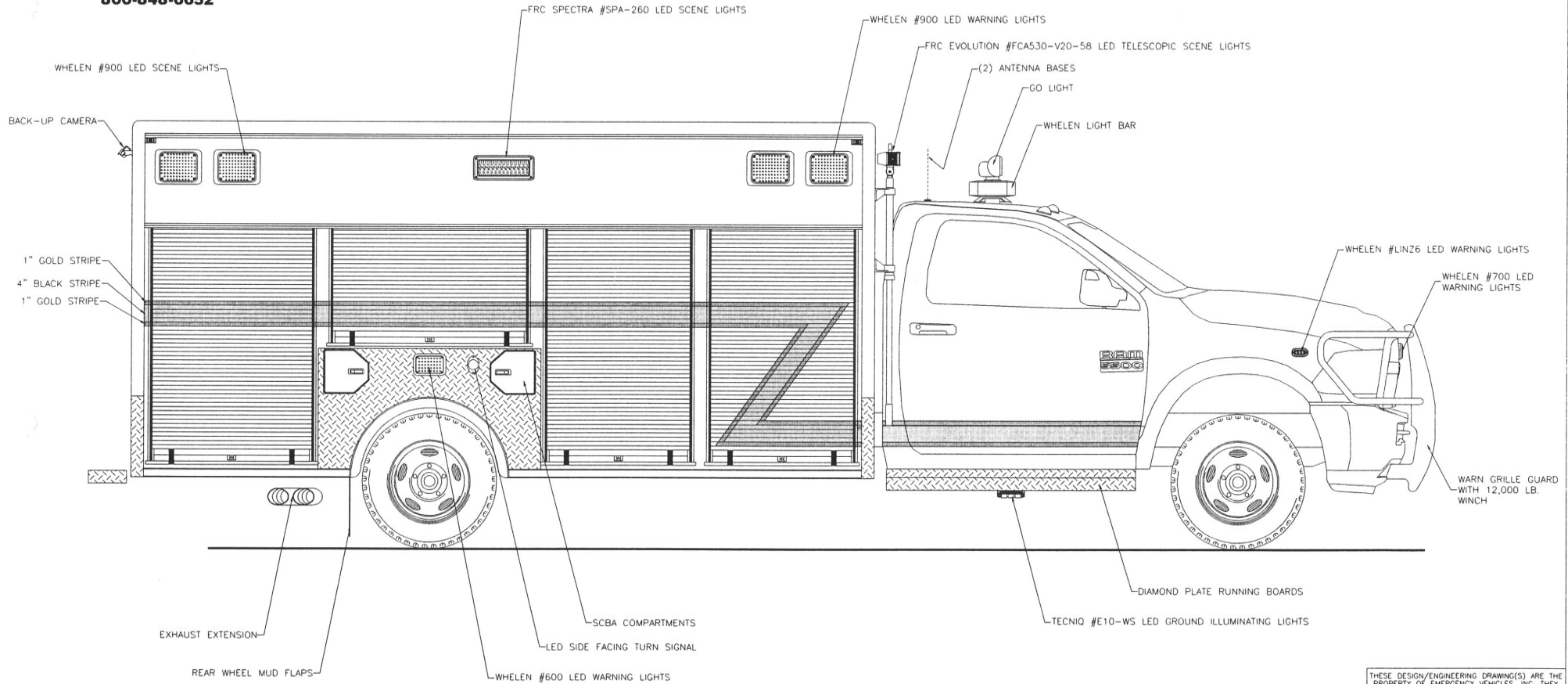
*E. J. [Signature]* DATE: 11/07/16

REVISION 1	NS - 12/07/16
REVISION 2	NS - 02/21/17
REVISION 3	NS - 03/07/17
REVISION 4	-
REVISION 5	-



705 13TH STREET, LAKE PARK, FL  
800-848-6652

# Clark Twp. Michigan Fire Rescue Clark Twp., Michigan



## Curbside Overall

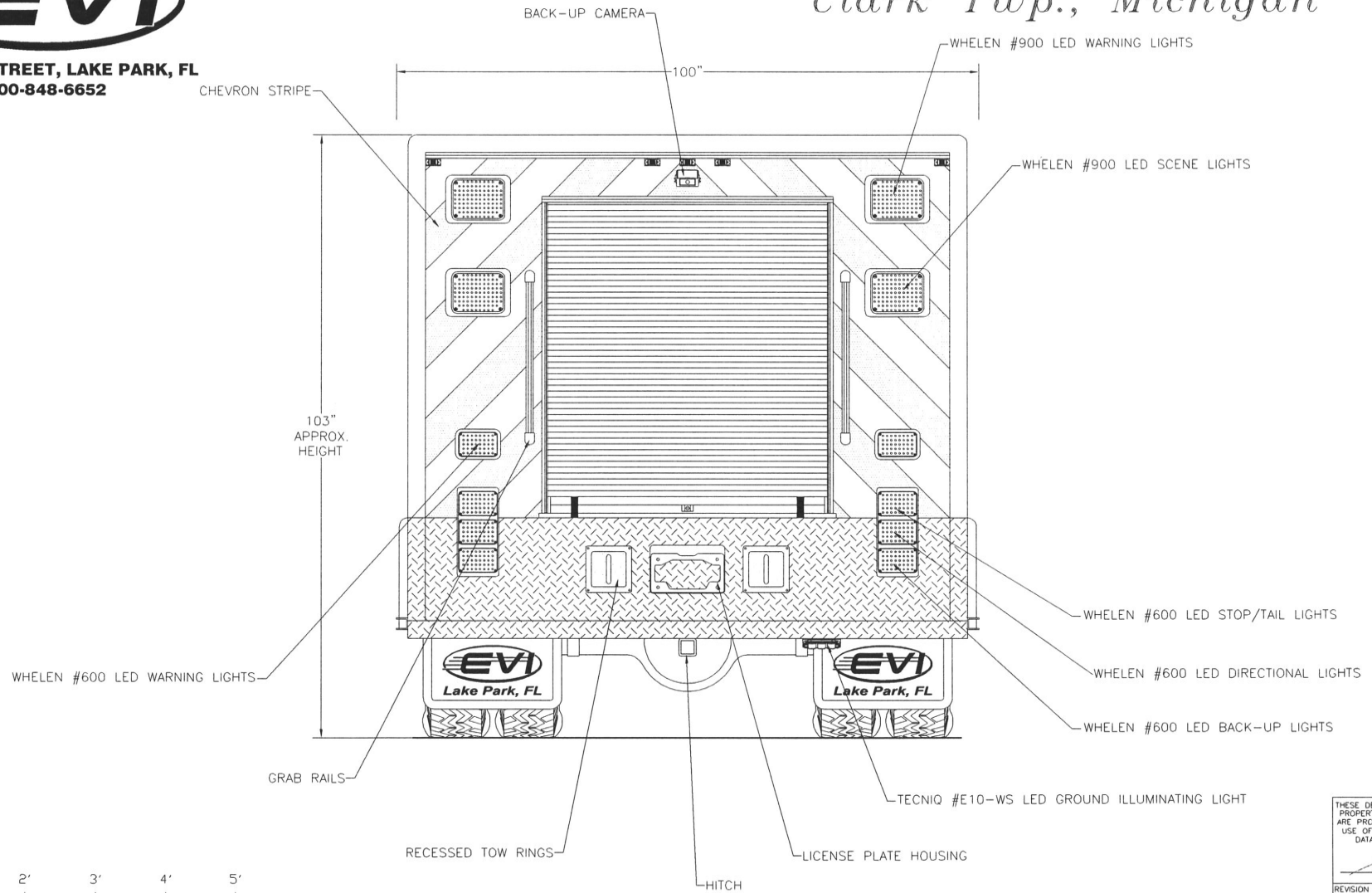
THESE DESIGN/ENGINEERING DRAWING(S) ARE THE PROPERTY OF EMERGENCY VEHICLES, INC. THEY ARE PROPRIETARY, AND ARE FOR THE EXCLUSIVE USE OF YOUR ENTITY. ANY DIVULGING OF THIS DATA TO A THIRD PARTY IS PROHIBITED.

<i>E. J. [Signature]</i>		DATE: 11/07/16
REVISION 1	NS	12/07/16
REVISION 2	NS	02/21/17
REVISION 3	NS	03/07/17
REVISION 4	-	-
REVISION 5	-	-



705 13TH STREET, LAKE PARK, FL  
800-848-6652

# Clark Twp. Michigan Fire Rescue Clark Twp., Michigan



Rear View

THESE DESIGN/ENGINEERING DRAWING(S) ARE THE PROPERTY OF EMERGENCY VEHICLES, INC. THEY ARE PROPRIETARY, AND ARE FOR THE EXCLUSIVE USE OF YOUR ENTITY. ANY DEALING OF THIS DATA TO A THIRD PARTY IS PROHIBITED.

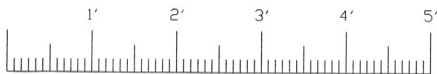
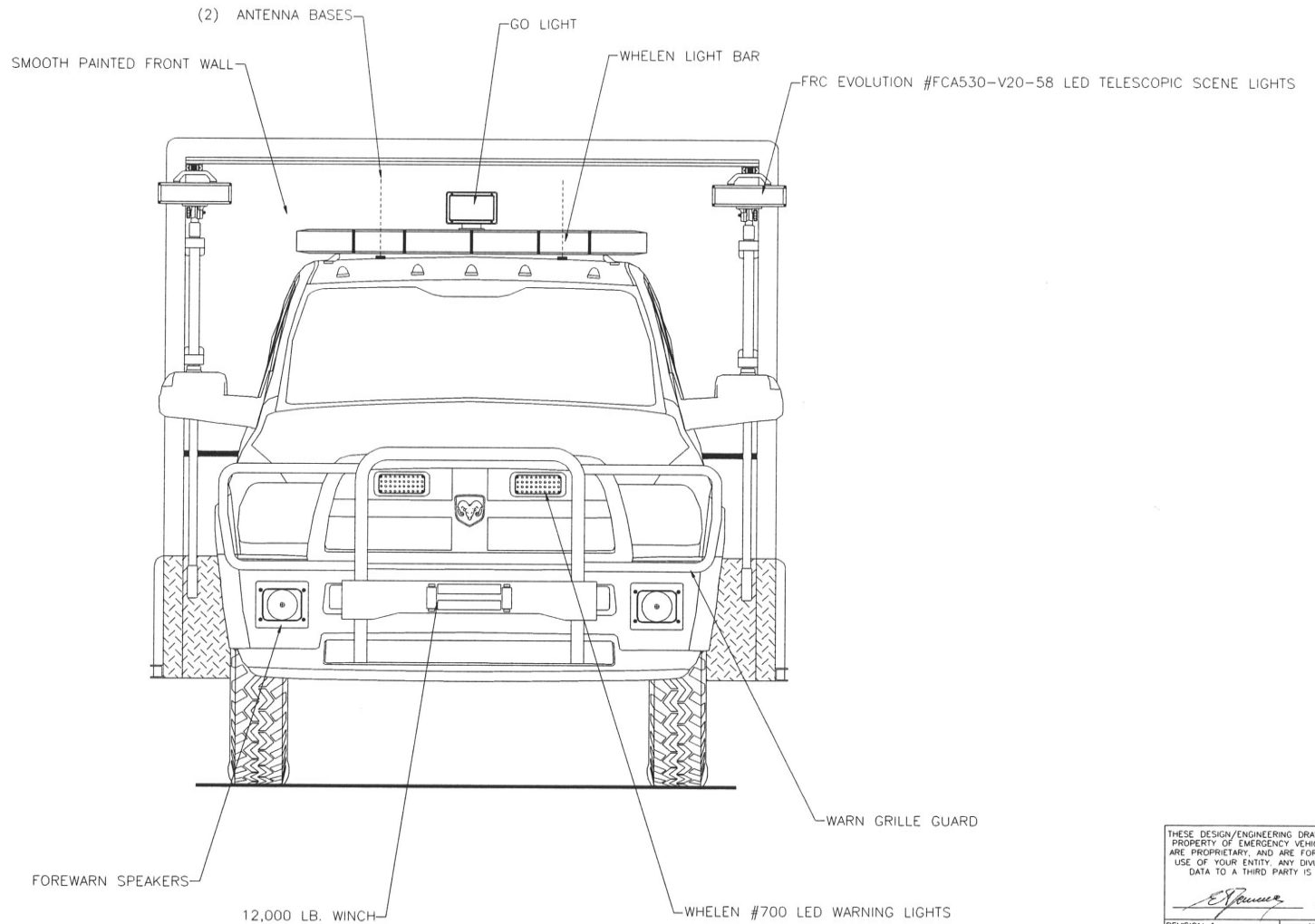
*E. J. Rousseau* DATE: 11/07/16

REVISION 1	NS - 12/07/16
REVISION 2	NS - 02/21/17
REVISION 3	NS - 03/07/17
REVISION 4	NS - 04/20/17
REVISION 5	-



705 13TH STREET, LAKE PARK, FL  
800-848-6652

# Clark Twp. Michigan Fire Rescue Clark Twp., Michigan



Front View

THESE DESIGN/ENGINEERING DRAWING(S) ARE THE PROPERTY OF EMERGENCY VEHICLES, INC. THEY ARE PROPRIETARY AND ARE FOR THE EXCLUSIVE USE OF YOUR ENTITY. ANY DIVULGING OF THIS DATA TO A THIRD PARTY IS PROHIBITED.

*E. Spence* DATE: 11/07/16

REVISION 1	NS - 12/07/16
REVISION 2	NS - 02/21/17
REVISION 3	NS - 03/07/17
REVISION 4	-
REVISION 5	-