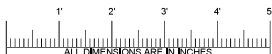
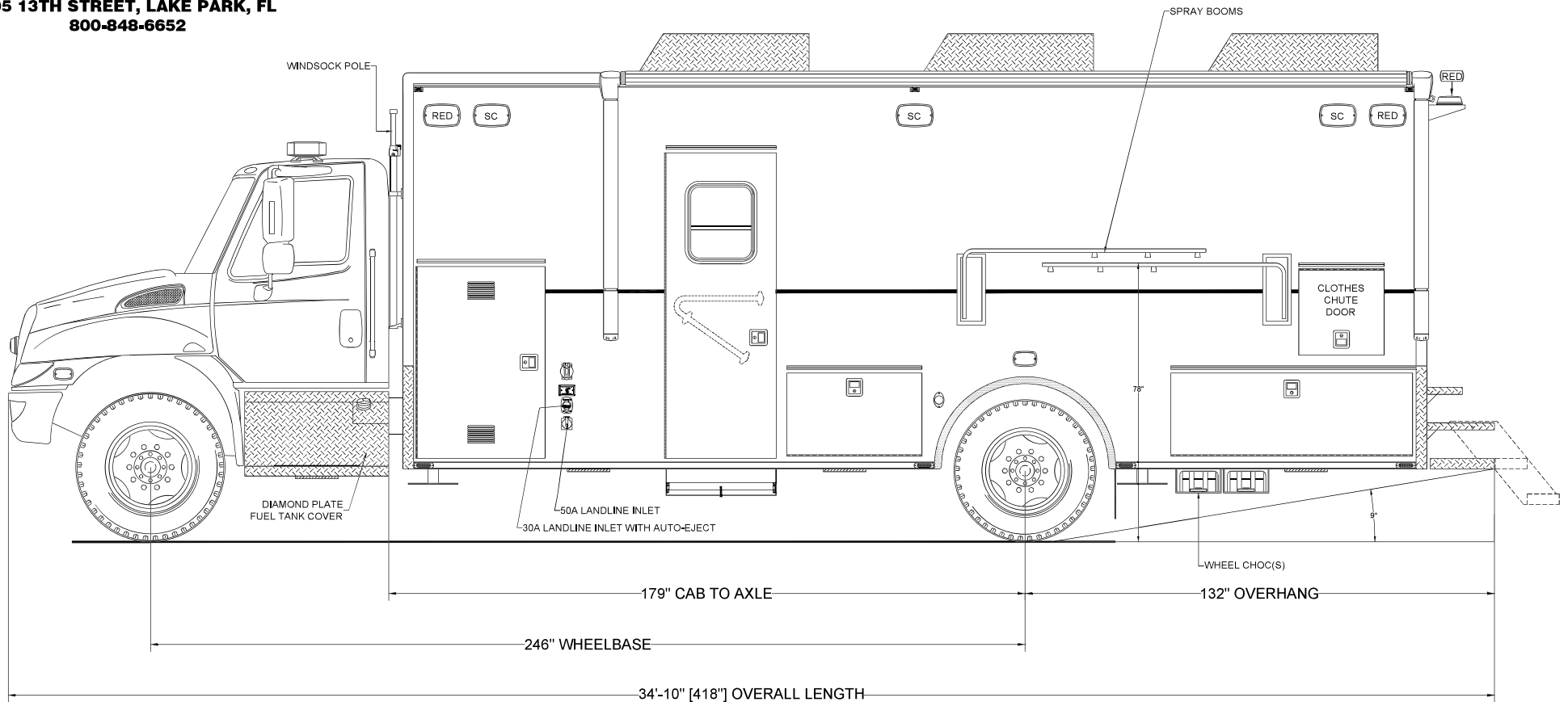




705 13TH STREET, LAKE PARK, FL  
800-848-6652

# Delaware Department of Natural Resources Delaware




ALL DIMENSIONS ARE IN INCHES

## Streetside Overall

### NOTICE

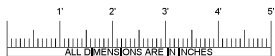
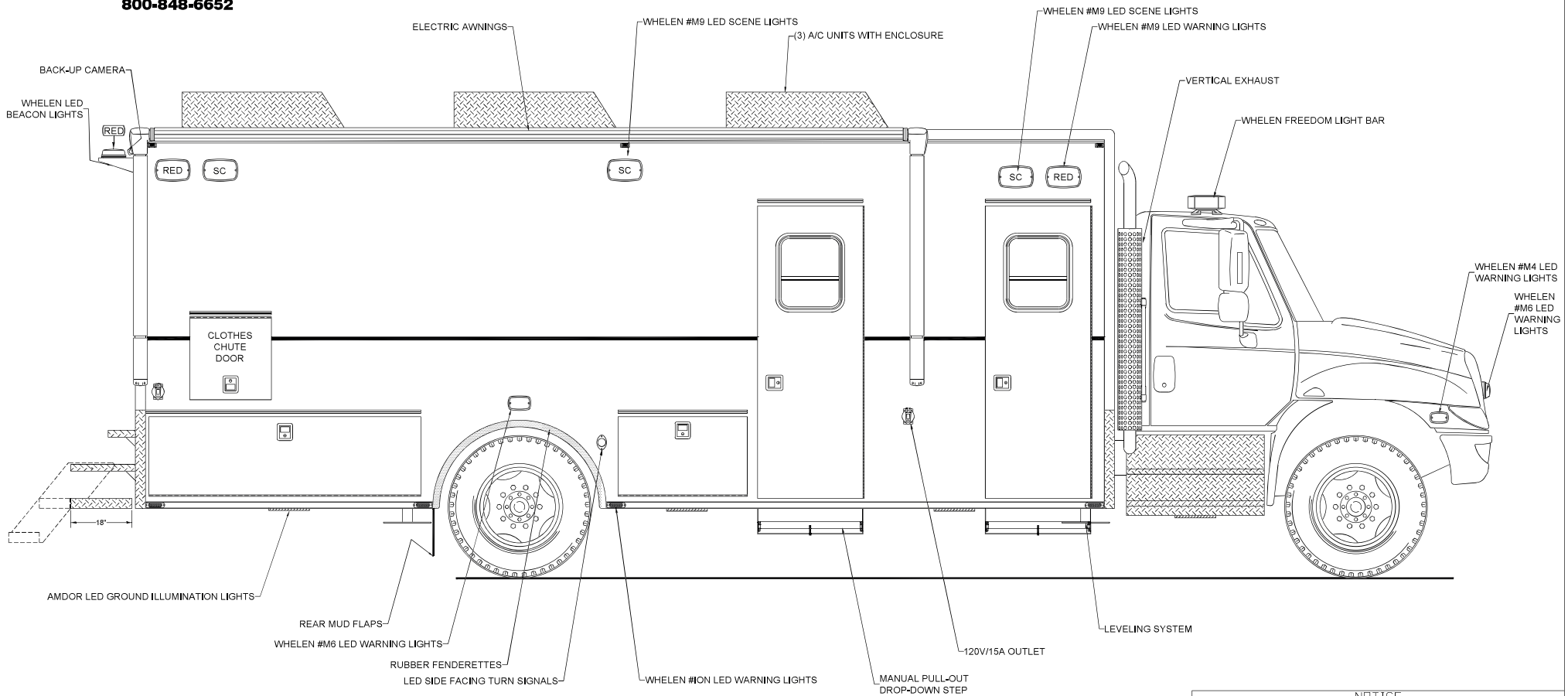
THIS DRAWING IS A REPRESENTATION OF THE VEHICLE AND/OR COMPONENTS AS DESCRIBED IN THE SPECIFICATIONS FOR THE DATE SHOWN. EVI RESERVES THE RIGHT TO MAKE CHANGES, AS NECESSARY, DURING THE PRODUCTION PROCESS TO ACCOMMODATE BEST MANUFACTURING PROCESSES AND TO ENSURE WE PROVIDE A CONSISTENTLY HIGH QUALITY PRODUCT.

REVISION 1	NS - 11/08/22	THESE DESIGN/ENGINEERING DRAWINGS ARE THE PROPERTY OF EMERGENCY VEHICLES, INC. THEY ARE PROPRIETARY, AND ARE FOR THE EXCLUSIVE USE OF YOUR ENTITY. ANY DIVULGING OF THIS DATA TO A THIRD PARTY IS PROHIBITED.	 DATE: 12/23/21
REVISION 2	-		
REVISION 3	-		
REVISION 4	-		
REVISION 5	-		
REVISION 6	-		



705 13TH STREET, LAKE PARK, FL  
800-848-6652

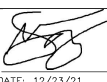
# Delaware Department of Natural Resources Delaware



## Curbside Overall

NOTICE	
THIS DRAWING IS A REPRESENTATION OF THE VEHICLE AND/OR COMPONENTS AS DESCRIBED IN THE SPECIFICATIONS FOR THE DATE SHOWN. EVI RESERVES THE RIGHT TO MAKE CHANGES, AS NECESSARY, DURING THE PRODUCTION PROCESS TO ACCOMMODATE BEST MANUFACTURING PROCESSES AND TO ENSURE WE PROVIDE A CONSISTENTLY HIGH QUALITY PRODUCT.	
REVISION 1	NS - 11/08/22
REVISION 2	-
REVISION 3	-
REVISION 4	-
REVISION 5	-
REVISION 6	-

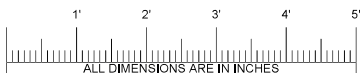
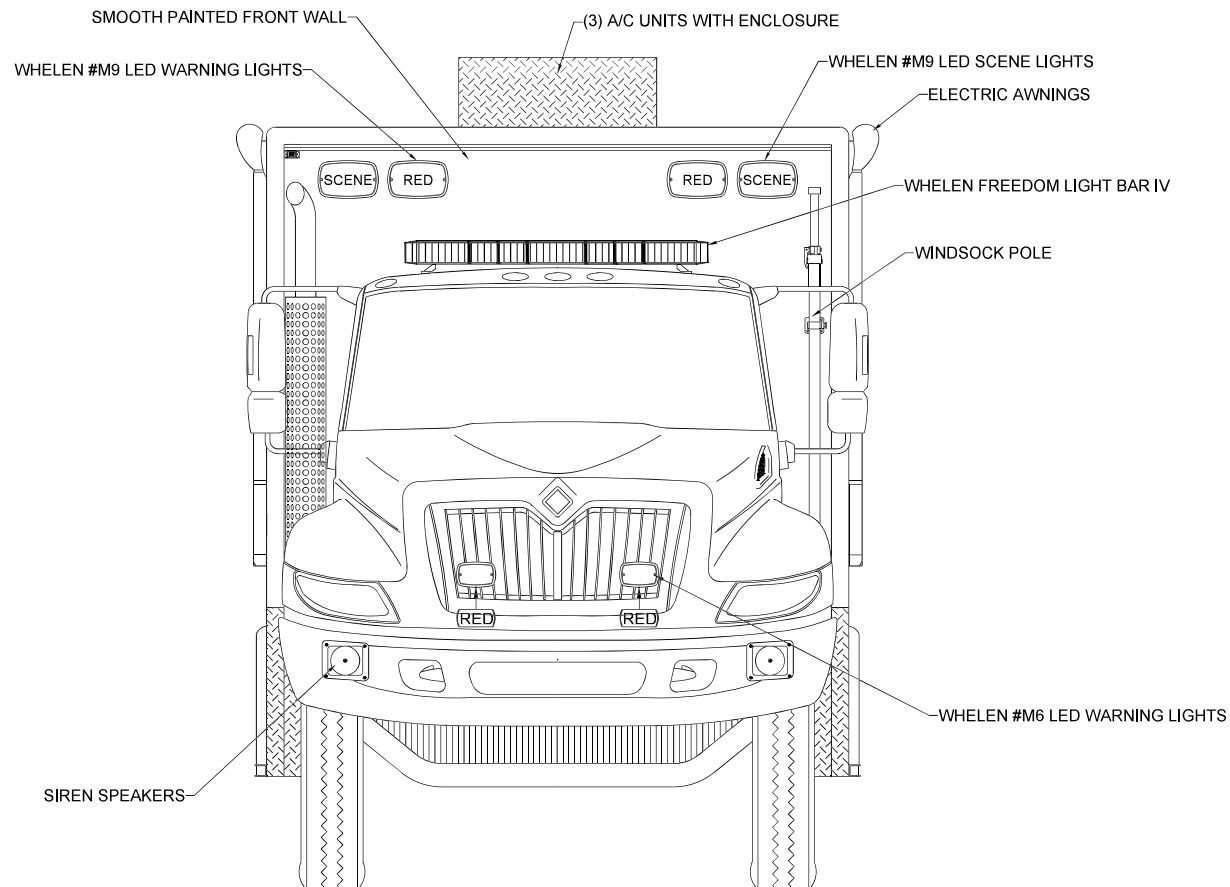
THESE DESIGN/ENGINEERING DRAWINGS ARE THE PROPERTY OF EMERGENCY VEHICLES, INC. THEY ARE PROPRIETARY, AND ARE FOR THE EXCLUSIVE USE OF YOUR ENTITY. ANY DIVULGING OF THIS DATA TO A THIRD PARTY IS PROHIBITED. DATE: 12/23/21





705 13TH STREET, LAKE PARK, FL  
800-848-6652

# Delaware Department of Natural Resources Delaware



Front View

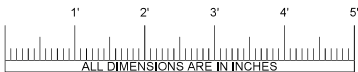
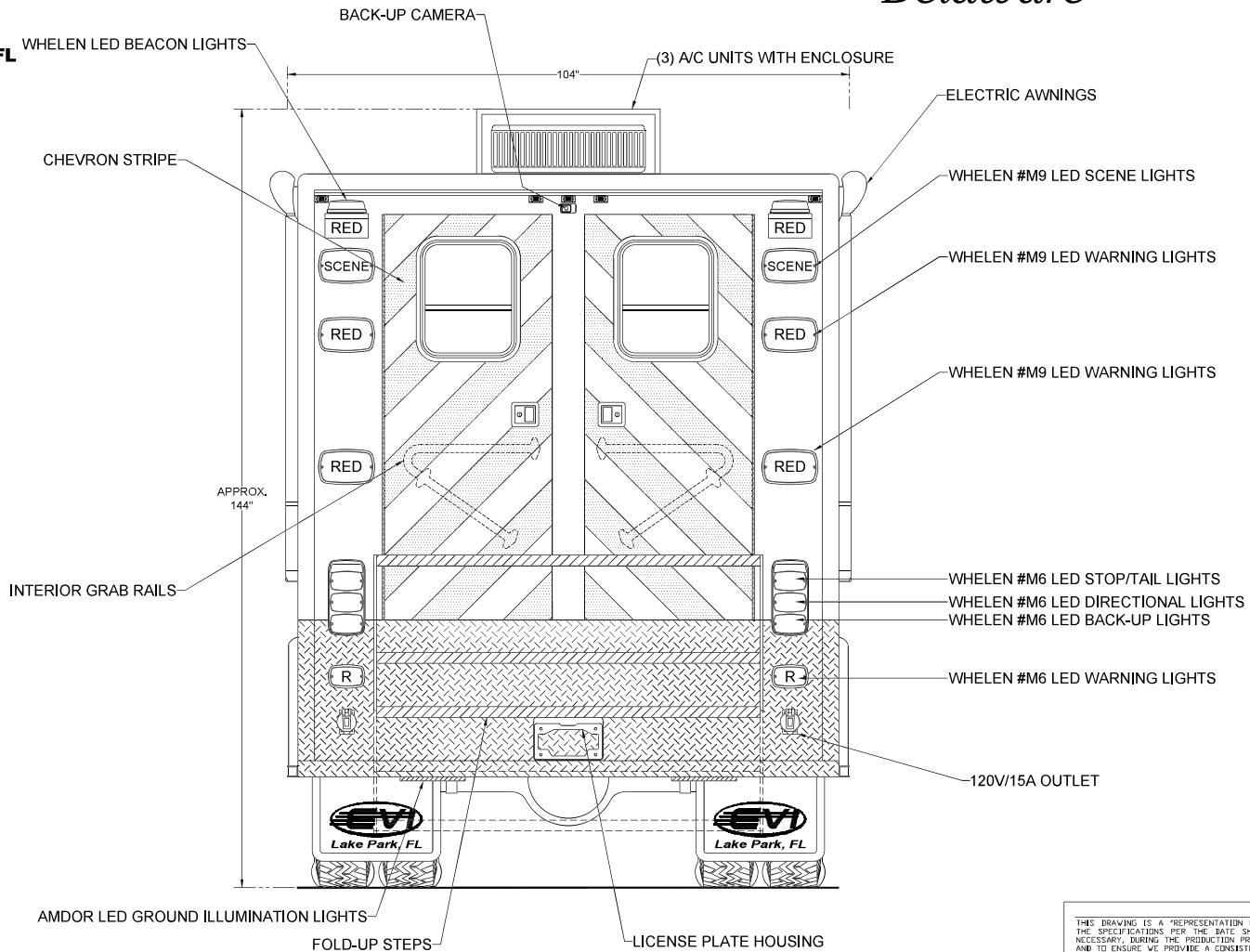
NOTICE		
THIS DRAWING IS A REPRESENTATION OF THE VEHICLE AND/OR COMPONENTS AS DESCRIBED IN THE SPECIFICATIONS FOR THE DATE SHOWN. EVI RESERVES THE RIGHT TO MAKE CHANGES, AS NECESSARY, DURING THE PRODUCTION PROCESS TO ACCOMMODATE BEST MANUFACTURING PROCESSES AND TO ENSURE WE PROVIDE A CONSISTENTLY HIGH QUALITY PRODUCT.		
REVISION 1	NS - 11/08/22	THESE DESIGN/ENGINEERING DRAWINGS ARE THE PROPERTY OF EMERGENCY VEHICLES, INC. THEY ARE PROPRIETARY, AND ARE FOR THE EXCLUSIVE USE OF YOUR ENTITY. ANY DIVULGING OF THIS DATA TO A THIRD PARTY IS PROHIBITED.
REVISION 2	-	
REVISION 3	-	
REVISION 4	-	
REVISION 5	-	
REVISION 6	-	

DATE: 12/23/21



705 13TH STREET, LAKE PARK, FL  
800-848-6652

# Delaware Department of Natural Resources Delaware



Rear View

NOTICE		
THIS DRAWING IS A REPRESENTATION OF THE VEHICLE AND/OR COMPONENTS AS DESCRIBED IN THE SPECIFICATIONS FOR THE DATE SHOWN. EVI RESERVES THE RIGHT TO MAKE CHANGES, AS NECESSARY, DURING THE PRODUCTION PROCESS TO ACCOMMODATE BEST MANUFACTURING PRACTICES AND TO ENSURE WE PROVIDE A CONSISTENTLY HIGH QUALITY PRODUCT.		
REVISION 1	NS - 11/08/22	THESE DESIGN/ENGINEERING DRAWINGS ARE THE PROPERTY OF EMERGENCY VEHICLES, INC. THEY ARE PROPRIETARY, AND ARE FOR THE EXCLUSIVE USE OF YOUR ENTITY. ANY DIVULGING OF THIS DATA TO A THIRD PARTY IS PROHIBITED.
REVISION 2	-	
REVISION 3	-	
REVISION 4	-	
REVISION 5	-	
REVISION 6	-	

DATE: 12/23/21