

**REVISED:**

CHANGE ORDER REFERENCE:

DAVIE POLICE DEPARTMENT  
DAVIE, FLORIDA

**STREETSIDE OVERALL**

**REVISIONS**

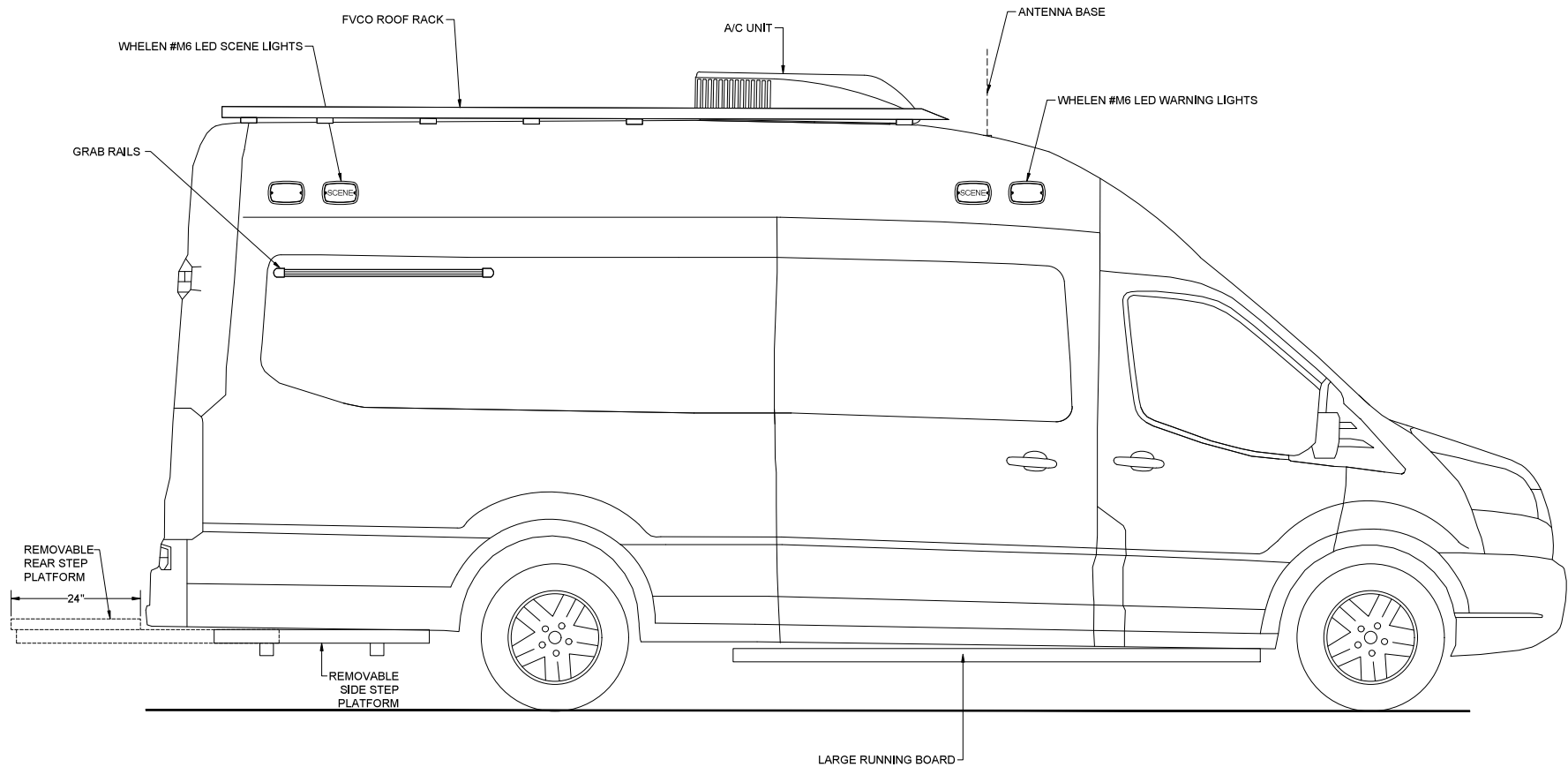
1	NP - 03/22/24
2	NS - 06/06/24 ADDM
3	DF - 06/12/24
4	NS - 07/23/24 - PR
5	
6	

SCALE  
N.T.S.  
ALL DIMS IN INCHES

DRAWING NO.  
RM3199

DRAWN BY  
N. PIRES

DATE  
03/13/24



**REVISED:**

DAVIE POLICE DEPARTMENT  
DAVIE, FLORIDA

**CURBSIDE OVERALL**

**REVISIONS**

1	NP - 03/22/24
2	NS - 06/06/24 ADDM
3	DF - 06/12/24
4	NS - 07/23/24 - PR
5	
6	

SCALE  
N.T.S.  
ALL DIMS IN INCHES

DRAWN BY  
N. PIRES

CHANGE ORDER REFERENCE:

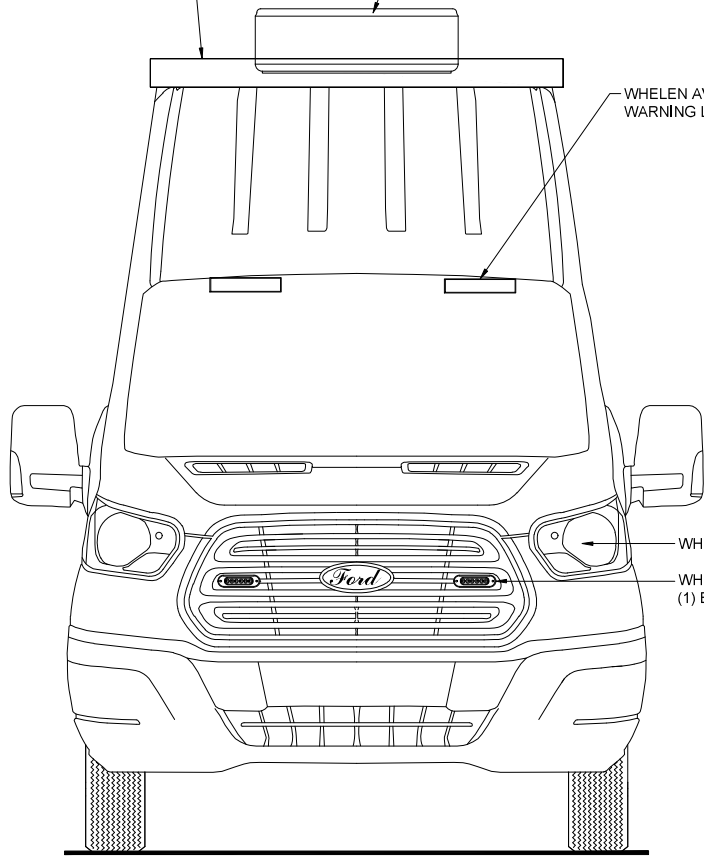
DRAWING NO.  
RM3199

DATE  
03/13/24



FVCO ROOF RACK

A/C UNIT



WHELEN AVENGER LED WARNING LIGHTS

WHELEN #M6 LED WARNING LIGHTS

WHELEN #M6 LED SCENE LIGHTS

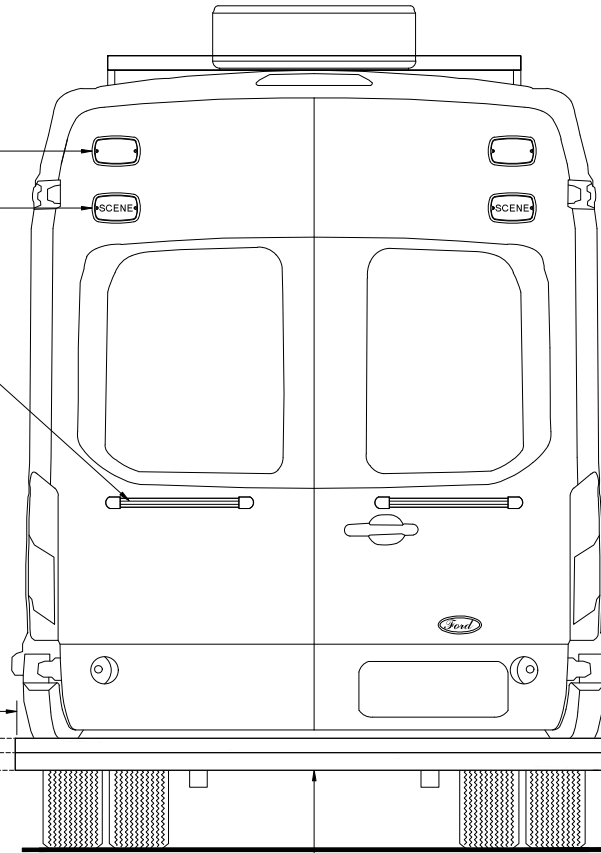
GRAB RAILS

WHELEN HEADLIGHT FLASHER

WHELEN #10N LED WARNING LIGHTS  
(1) BLUE AND (1) RED

REMOVABLE  
SIDE STEP  
PLATFORM

20"



REMOVABLE  
SIDE STEP  
PLATFORM

REMOVABLE REAR STEP  
PLATFORM



WHELEN SIREN SPEAKER - HIDDEN

REVISED:

CHANGE ORDER REFERENCE:

DAVIE POLICE DEPARTMENT  
DAVIE, FLORIDA

FRONT/REAR VIEW

REVISIONS

1	NP - 03/22/24
2	NS - 06/06/24 ADDM
3	DF - 06/12/24
4	NS - 07/23/24 - PR
5	
6	

SCALE

N.T.S.  
ALL DIMS IN INCHES

DRAWN BY

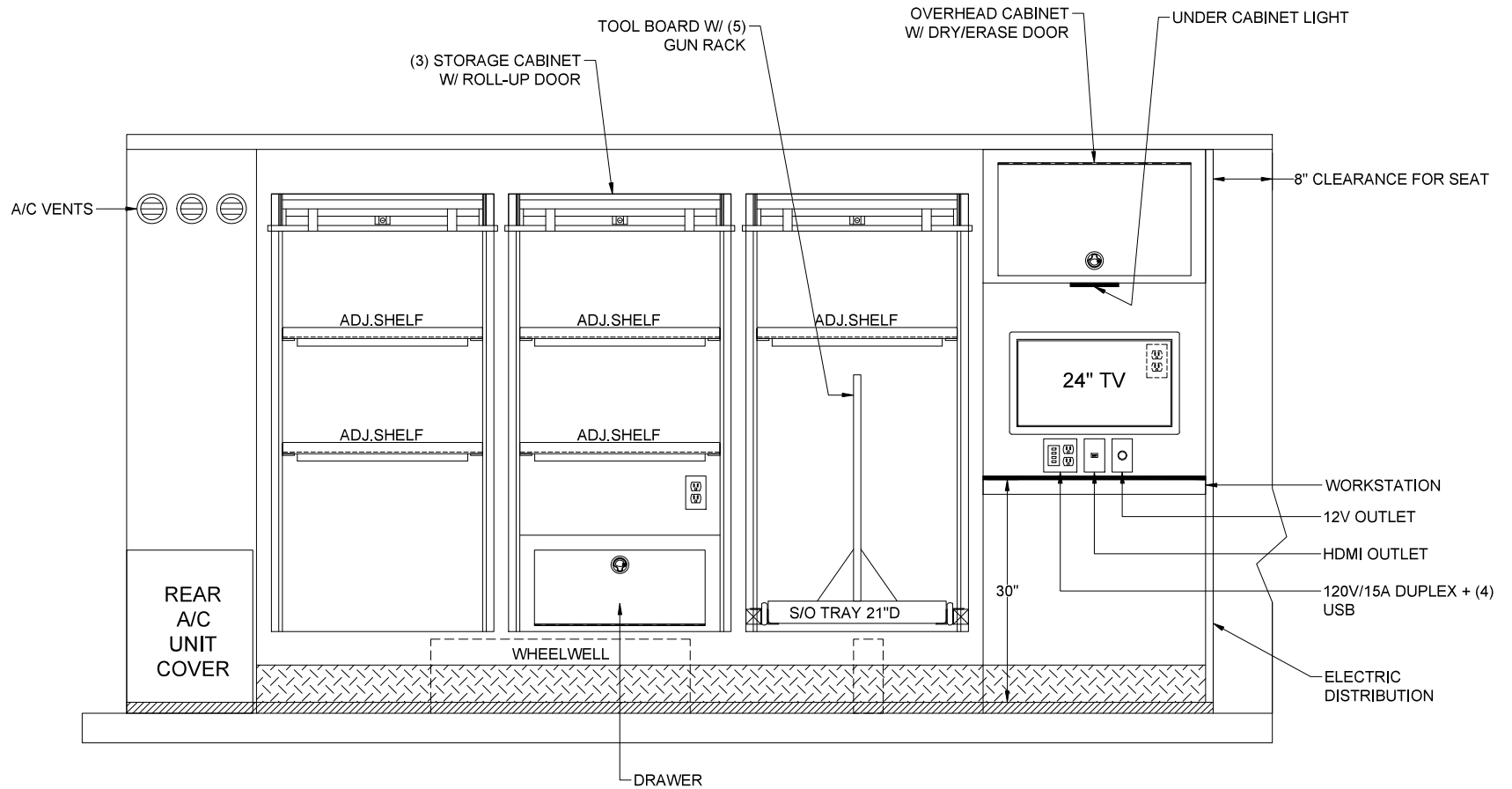
N. PIRES

DRAWING NO.

RM3199

DATE

03/13/24



REVISED:

*[Handwritten signature]*

DAVIE POLICE DEPARTMENT  
DAVIE, FLORIDA

STREETSIDE INTERIOR

REVISIONS

1	NP - 03/22/24
2	NS - 06/06/24 ADDM
3	DF - 06/12/24
4	NS - 07/23/24 - PR
5	
6	

SCALE

N.T.S.  
ALL DIMS IN INCHES

DRAWN BY

N. PIRES

CHANGE ORDER REFERENCE:

DRAWING NO.

RM3199

DATE

03/13/24